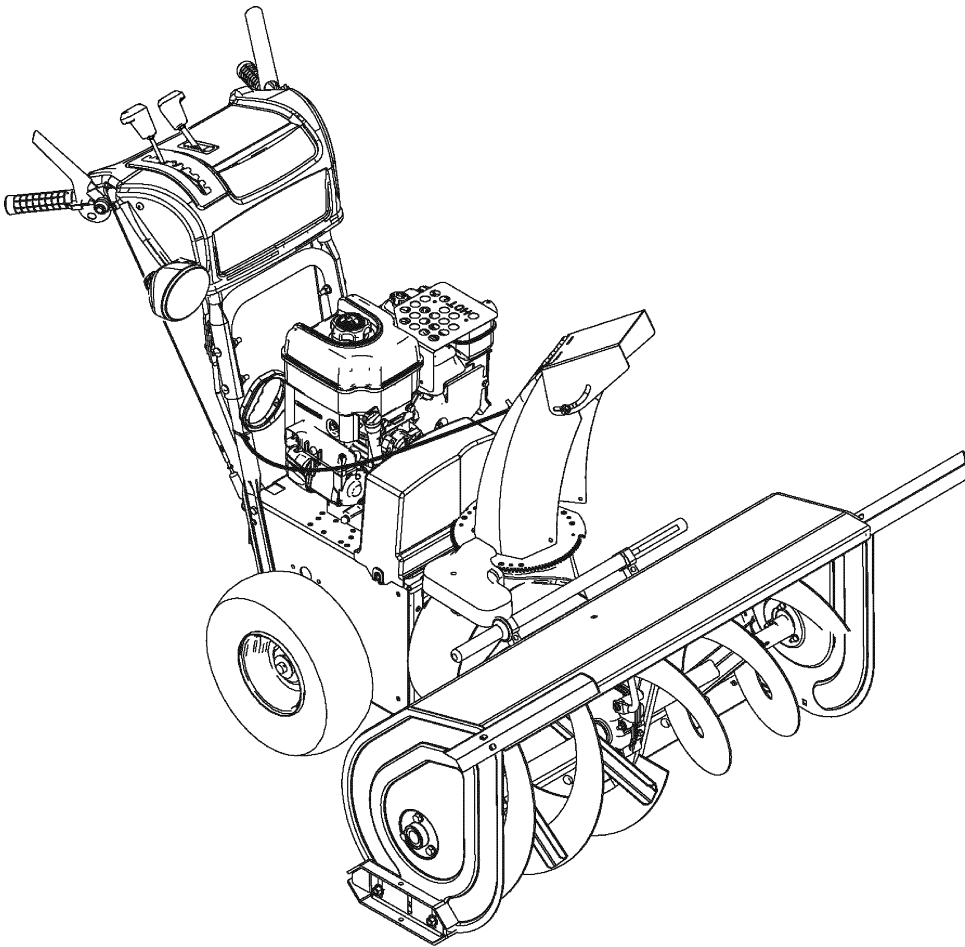


Parts Manual for
SNAPPER®

**LARGE FRAME 32" & 38"
TWO-STAGE PRO SNOW THROWERS
2009**

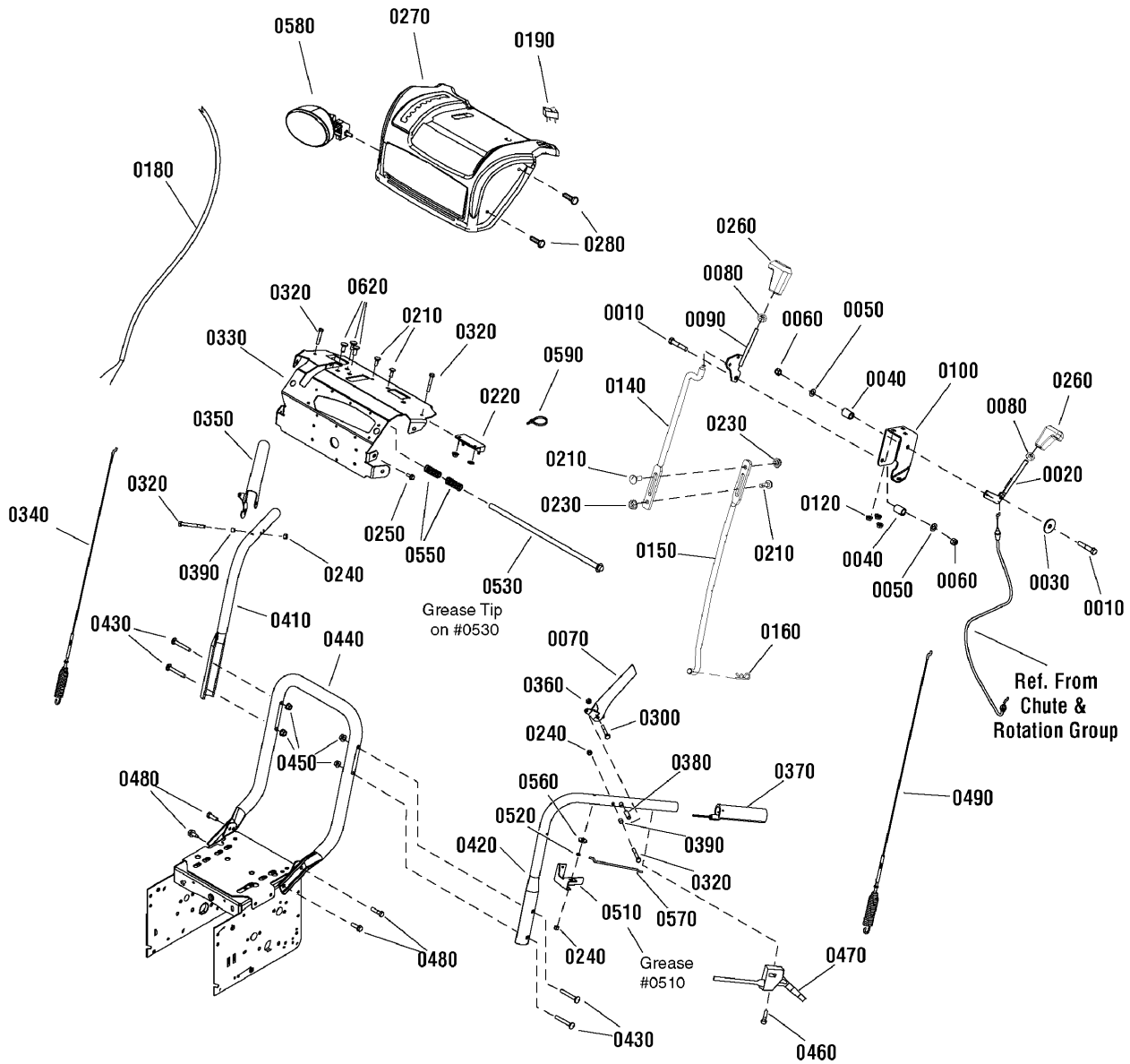
<i>Model No.</i>	<i>Description</i>
1695738	P1732EX
1695684	P1738E
1695677	P1738EX



Briggs & Stratton Yard Power Products Group
535 Macon Road
McDonough, GA, 30253 U.S.A.
800-935-2967

Manual No. 7104009
Revision: - 9/28/2009

PAGE	GROUP
4	Handles & Controls Group
8	Auger Housing Group
10	Auger Drive Group - Heavy Duty
12	Gear Case Assembly - Heavy Duty
14	Chute & Rotation Group
16	Engine Group
20	Traction Drive Group
24	Decals Group
26	Wheel & Tire Group

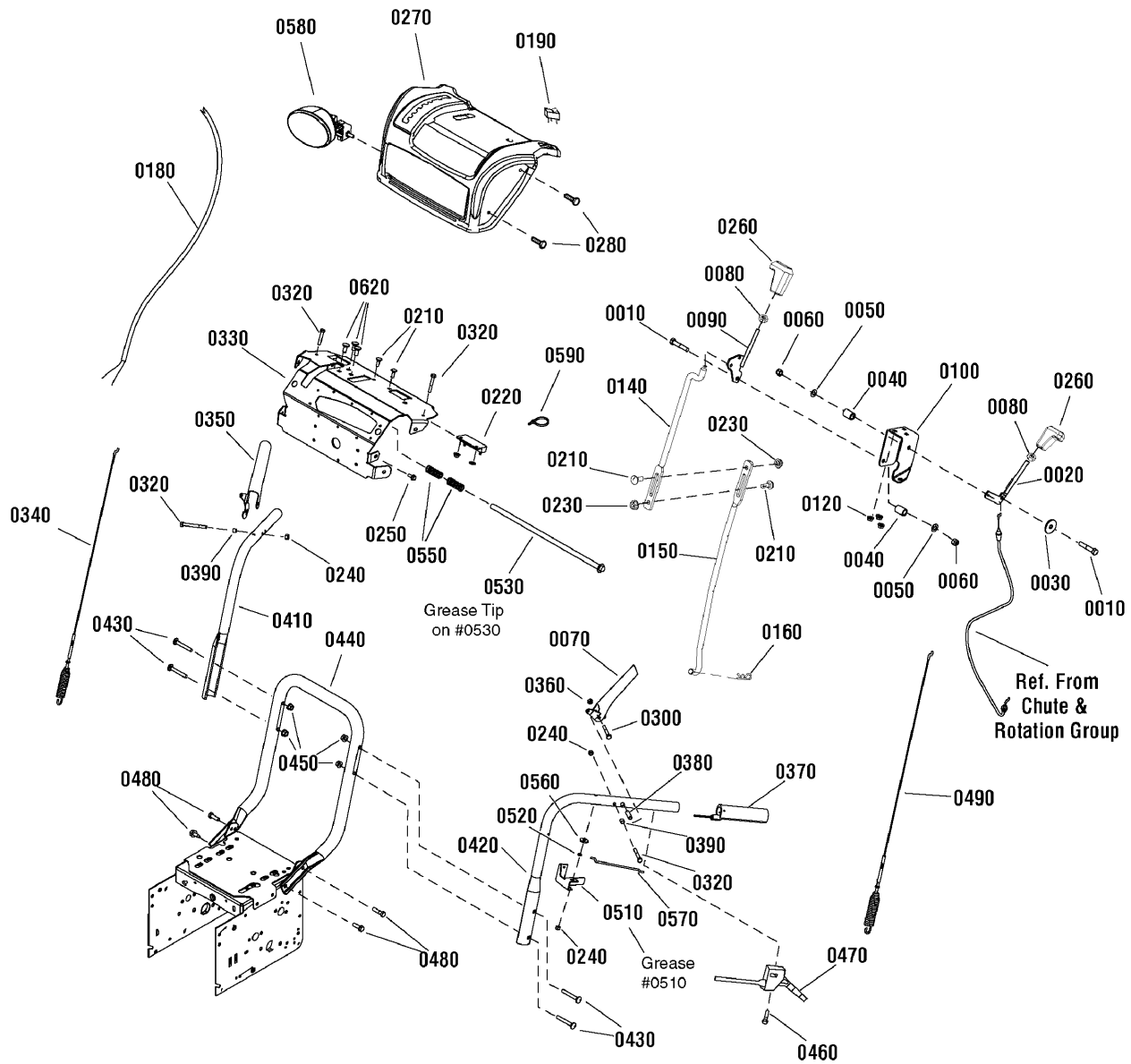


Handles & Controls Group

Item	Part No	Qty	Description
0010	1923701	2	CAPSCREW, Hex Head, 3/8-16 x 2, G5
0020	1732427	1	ROD, Chute, 5
0030	1924356	1	WASHER, 3/8
0040	724361	2	SPRING
0050	1918266	2	WASHER, 3/8
0060	1919439	2	NUT, Hex Lock, 3/8-16, ESNA Light
0070	1737690	1	LEVER, Clutch, Left
0080	1917421	2	NUT, Hex Jam, 3/8-16
0090	1735644	1	LEVER, Speed
0100	1737684	1	BRACKET, Controls
0120	1931277	3	NUT, Hex Flange, Whiz Lock, 5/16-18
0140	1735647	1	ROD, Shift, 13-7/8
0150	1666255	1	ROD, Shift, 15-3/8
0160	1722460	1	PIN, Quick
0180	1735652	1	HARNESS, Wiring
0190	1732563	1	SWITCH, Rocker, Hand Warmer
0210	1931317	4	BOLT, Carriage, 1/4-20 x 3/4, G5
0220	1724037	1	RESISTOR BLOCK
0230	1960685	4	NUT, Hex Keps, 1/4-20
0240	1920397	8	NUT, Hex Lock, 1/4-20, ESNA Light
0250	1927429	2	CAPSCREW, Hex Washer Head, Taptite, 1/4-20 x 5/8
0260	723073	2	GRIP, Lever
0270	1735642D	1	COVER, Panel
0280	1960715	4	SCREW, Truss Head Torx, 1/4-20 x 3/4
0300	1922837	2	CAPSCREW, Hex Head, 1/4-20 x 1-1/2, G5
0320	1921962	4	CAPSCREW, Hex Head, 1/4-20 x 1-3/4, G5
0330	1732064A	1	COVER, Dash
0340	1735643	1	CABLE AND SPRING ASSEMBLY, Auger Drive, R.H.
0350	1736323	1	LEVER, Clutch, Right
0360	1923358	2	NUT, Hex Centerlock, 1/4-20
0370	1723965	2	HAND GRIP, Heated
0380	1736542	2	SPACER, Stepped
0390	1678392	2	SPACER, 1/4 ID x 3/8 OD x 5/16
0410	1734587A	1	HANDLE, Upper, R.H.
0420	1734586A	1	HANDLE, Upper, L.H.
0430	1960723	4	BOLT, Carriage, 5/16-18 x 2-1/4, G5
0440	1735641A	1	HANDLE, Lower

Footnotes:

Handles & Controls Group

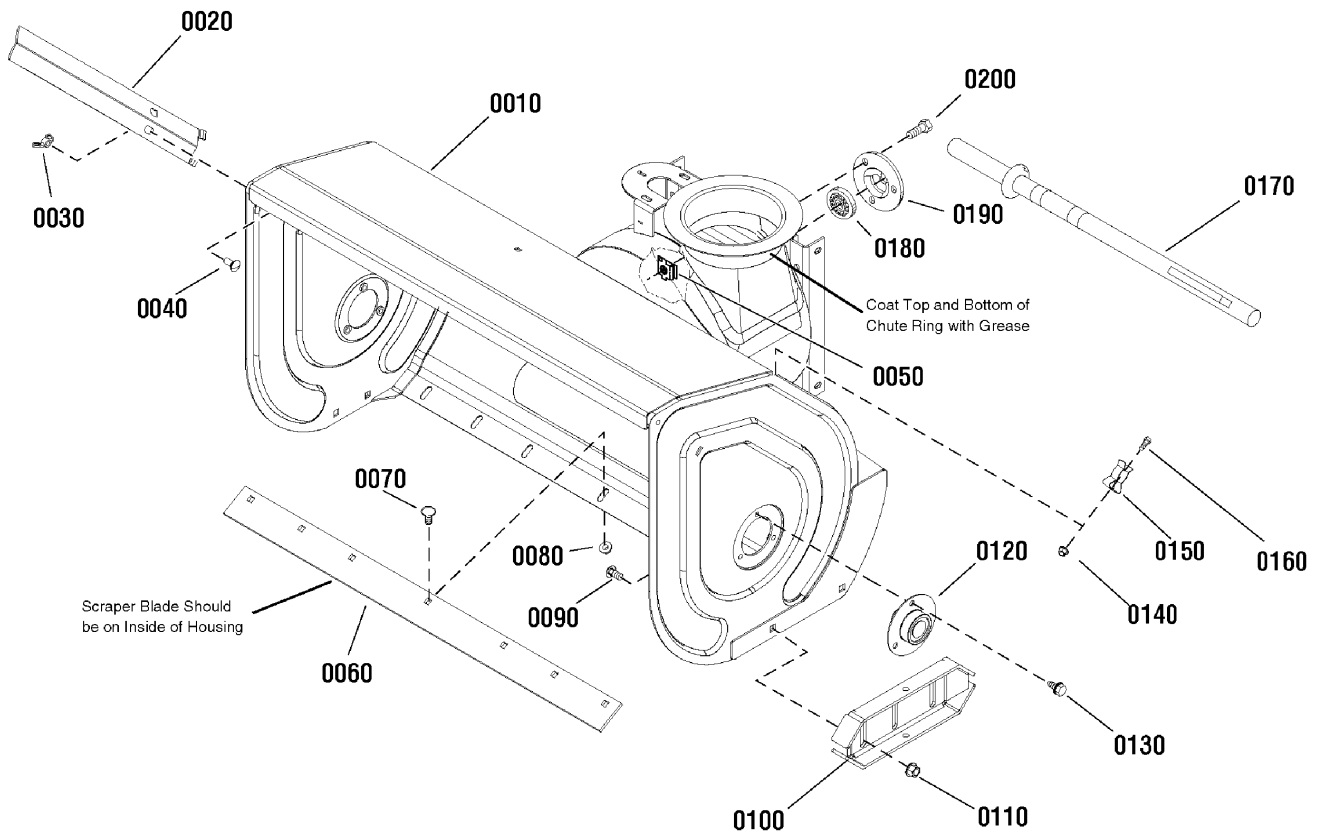


Handles & Controls Group

Item	Part No	Qty	Description
0450	1960686	4	NUT, Hex Flange, 5/16-18, ESNA
0460	1725702	1	SCREW, Pan Head Torx #10 x 1/2
0470	1718791	1	CABLE & HANDLE ASSEMBLY
0480	1921333	4	CAPSCREW, Hex Head, 5/16-18 x 1, G5
0490	1735646	1	CABLE AND SPRING ASSEMBLY, Auger Drive
0510	1733505BM	1	BRACKET, Pivot, Free Hand
0520	1733095	1	SPACER, 1/4 ID x 3/8 OD x 1/8
0530	1733509	1	ROD & SPRING ASSEMBLY
0550	2108360	2	SPRING, Compression
0560	1960353	1	WASHER, 1/4
0570	1736360	1	ROD, 5-5/8
0580	1732322	1	HEADLIGHT ASSEMBLY
0590	2825094	5	TIE, Self Locking
0620	723873	3	BOLT, Carriage, 5/16-18 x 3/4

Footnotes:

Auger Housing Group

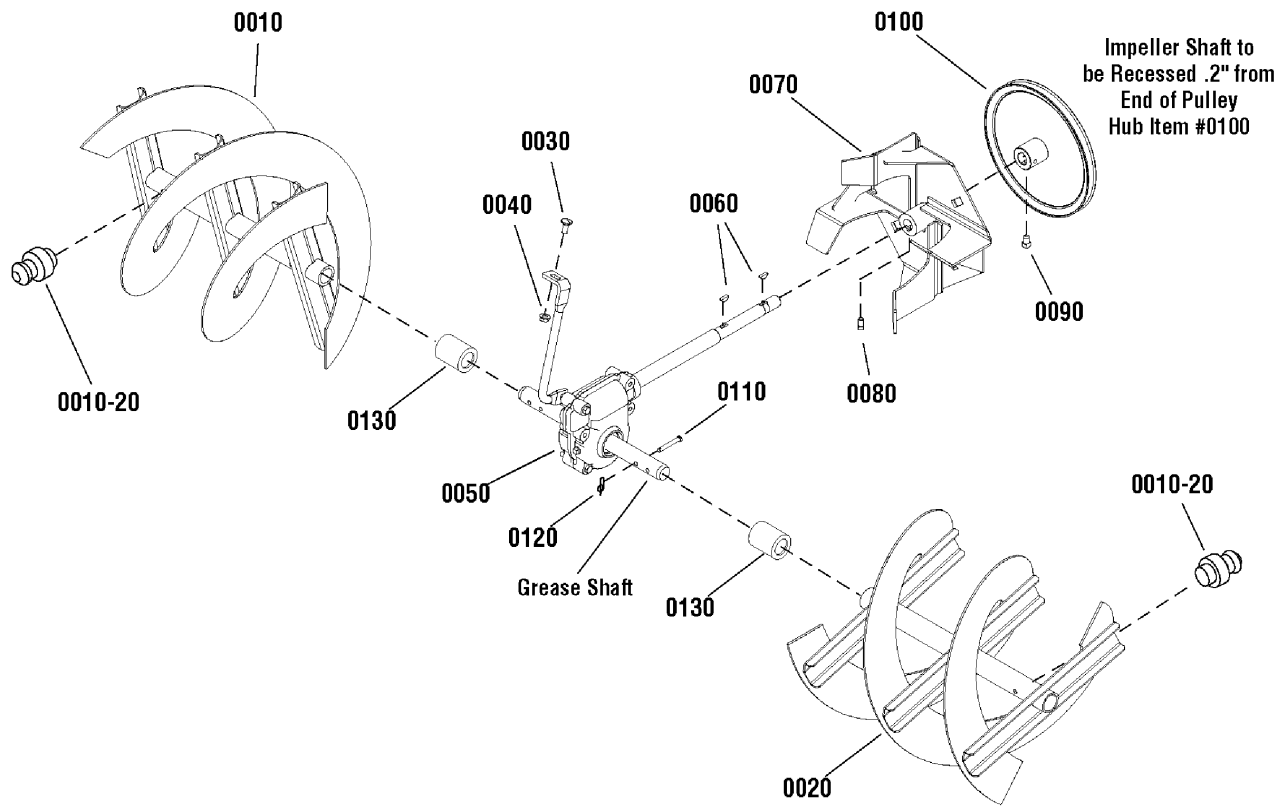


Auger Housing Group

Item	Part No	Qty	Description
0010	1739256D	1	AUGER HOUSING, 32"
0010	1737700D	1	AUGER HOUSING, 38"
0020	1733102BM	2	DRIFT CUTTER
0030	725347	2	NUT, Wing, Serrated, 5/16-18
0040	723873	2	BOLT, Carriage, 5/16-18 x 3/4
0050	1930659	3	RETAINER, Nut, 5/16-18
0060	1709948BM	1	BLADE, Scraper, 32"
0060	1723921BM	1	BLADE, Scraper, 38"
0070	1960699	9	BOLT, Carriage, 5/16-18 x 5/8, G5
0080	1935048	9	NUT, Hex Flange, Two Way Lock, 5/16-18
0090	1960702	4	BOLT, Carriage, 3/8-16 x 1, G5
0100	1725747BM	2	SHOE, Skid
0110	1960687	4	NUT, Hex Flange, 3/8-16, ESNA
0120	1734645	2	BEARING, Ball
0130	1664847	6	SCREW, Hex Washer Head, Taptite, 5/16-18 x 3/4
0140	722401	2	NUT, Nylock, 10 x 24
0150	1736620	2	Clip, Retainer
0160	1960569	2	SCREW, Truss Head Torx, #10-24 x 3/8
0170	1736094	1	BRUSH, Cleanout
0180	2108202	1	BEARING, Ball
0190	1665982	1	RETAINER, Ball Bearing
0200	1960738	3	SCREW, Hex Flange, Whiz Lock, 5/16-18 x 3/4

Footnotes:

Auger Drive Group - Heavy Duty

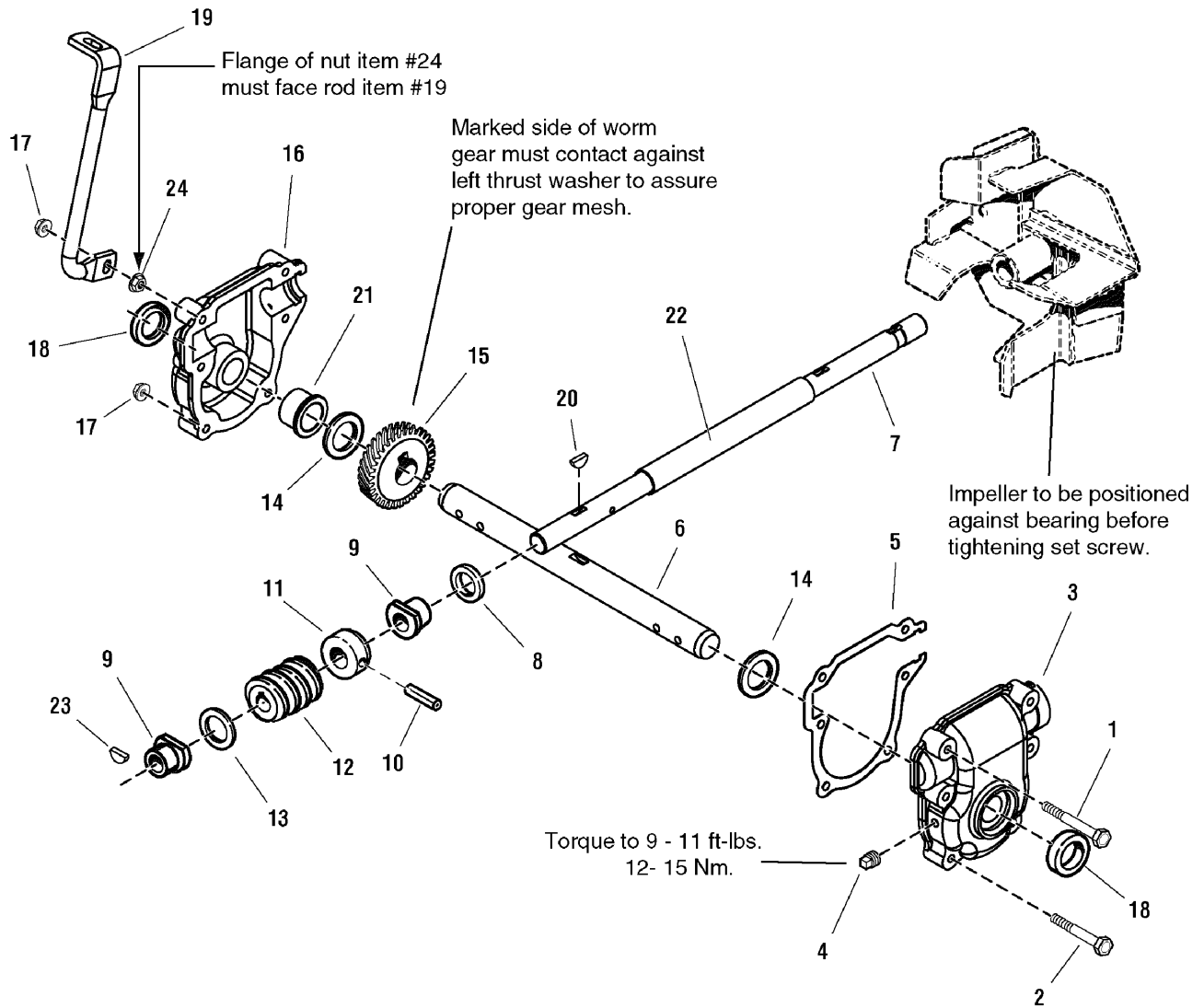


Auger Drive Group - Heavy Duty

Item	Part No	Qty	Description
0010	1734678BM	1	AUGER ASSEMBLY, 32", R.H.
0010	1734680BM	1	AUGER ASSEMBLY, 38", R.H.
0020	1734677BM	1	AUGER ASSEMBLY, 32", L.H.
0020	1734679BM	1	AUGER ASSEMBLY, 38", L.H.
0010-20	2821133	2	FITTING, Zerk (R.H. & L.H. - All Augers)
0030	1931333	1	BOLT, Carriage, 5/16-18 x 3/4, G5
0040	1931277	1	NUT, Hex Flange, Whiz Lock, 5/16-18
0050	1732303	1	GEAR CASE ASSEMBLY, Heavy Duty
0060	2818312	2	KEY, Woodruff
0070	1612187BM	1	IMPELLER
0080	1960474	1	SCREW, Set, 3/8-16 x 1/2, G8
0090	1928721	2	SCREW, Set, 5/16-18 x 1/2, G8
0100	1732468	1	PULLEY, 9 OD, 3/4 ID
0110	1668344	2	PIN, Shear, 1-3/4
0120	7023590	2	PIN, Cotter

Footnotes:

Gear Case Assembly - Heavy Duty

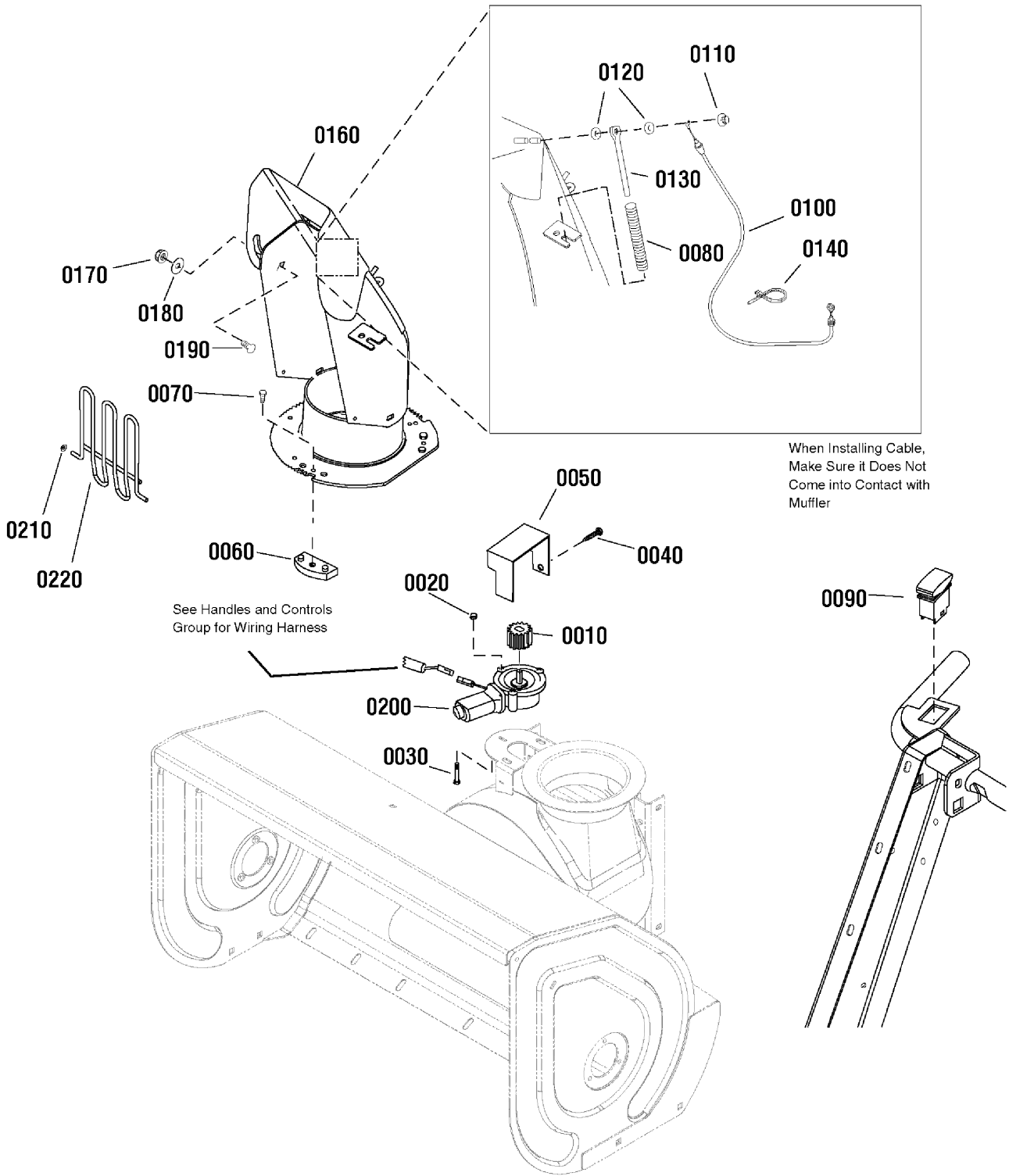


Gear Case Assembly - Heavy Duty

Item	Part No	Qty	Description
1	1926105	1	CAPSCREW, 1/4-20 x 2-3/4
2	1960346	5	CAPSCREW, 1/4-20 x 2-1/4
3	1734218	1	GEAR CASE, L.H.
4	1668971	1	TAPERED PIPE PLUG
5	1612124	1	GASKET
6	1732440	1	SHAFT, Auger Cutoff
7	1732182	1	SHAFT, Worm Cutoff
8	1612093	1	SEAL, Oil
9	1612149	2	FLANGE BUSHING
10	2836098	1	PIN, Drive Lock
11	1612127	1	THRUST COLLAR
12	1612142	1	ROLLED WORM CASE
13	2168111	1	THRUST WASHER
14	2118315	2	THRUST WASHER
15	1612141	1	GEAR, Worm
16	1734219	1	GEAR CASE, R.H.
17	1930642	6	NUT, Top Lock Flange, 1/4-20
18	2118118	1	SEAL
19	1732152	1	WIREFORM BRACKET
20	2818312	1	KEY, Woodruff, .18 x .62
21	1732991	2	BUSHING
22	1612111	1	TUBE
23	2830246	1	KEY, Woodruff, 1/4 x 3/4
24	1960294	1	NUT, Hex-Flange, 1/4-20

Footnotes:

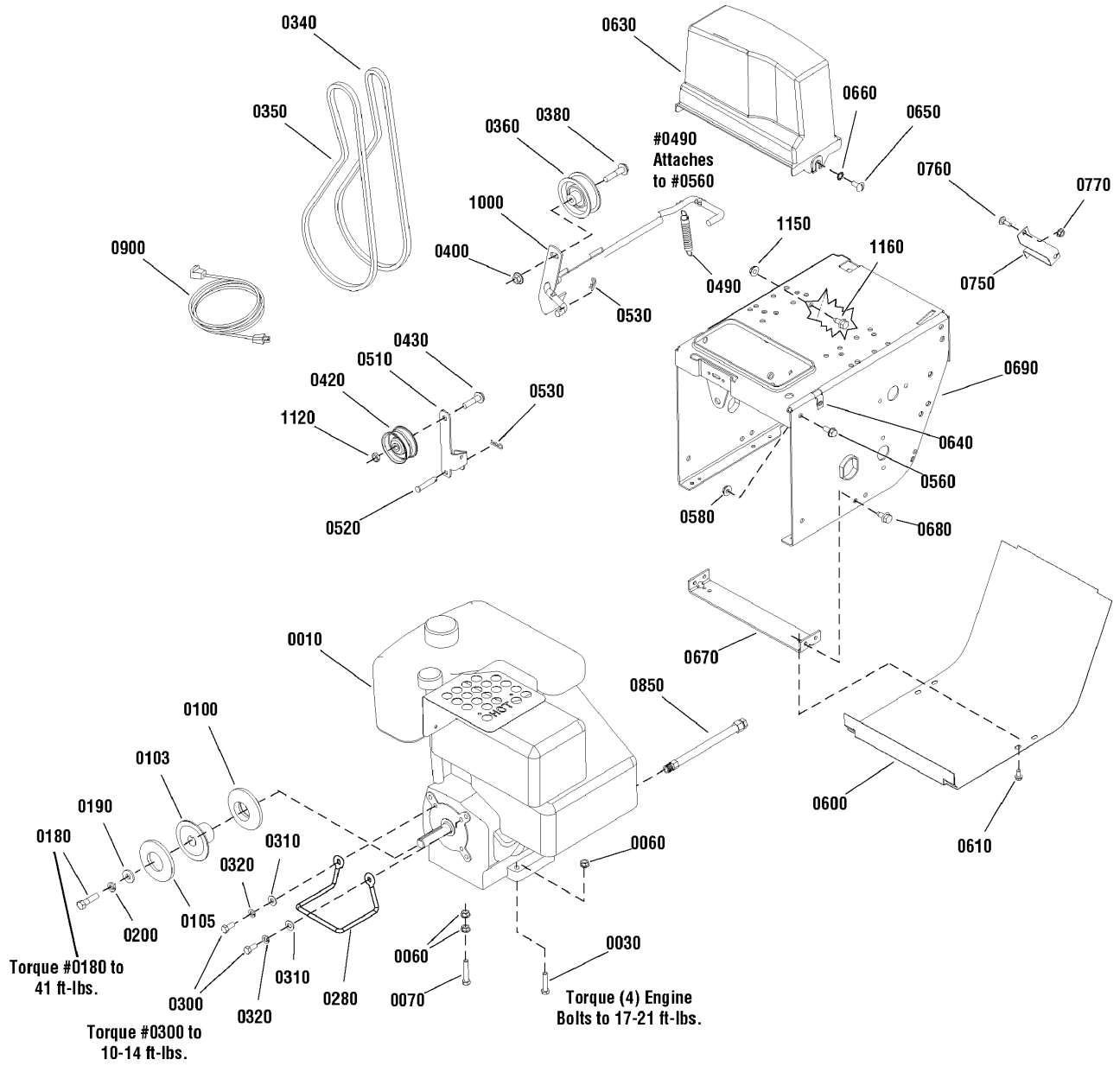
Chute & Rotation Group



Chute & Rotation Group

Item	Part No	Qty	Description
0010	1728967	1	PINION, 1-1/4 Lg
0020	1960745	3	NUT, Whiz-Lock, #10-24
0030	2860604	3	CAPSCREW, Hex Washer, #10 x 1-1/4 G2
0040	1927428	1	CAPSCREW, Hex Washer, Taptite, 1/4-20 x 3/8
0050	1733934A	1	COVER, Gear
0060	1666613	3	HOLD DOWN, Chute
0070	1960001	3	CAPSCREW, Hex Washer, 10-14 x 5/8
0080	1734647	1	SPRING, Compression, 9/16 OD x 6-1/16 Lg
0090	1728969	1	SWITCH, Rocker, Chute Rotation, 5-Pin
0100	1732971	1	CABLE, Deflector Control
0110	1932718	1	PUSHNUT, 5/16 Dia., 5/8 OD
0120	1666697	2	SPACER, 1/2 OD x 7/32 Lg
0130	1734708A	1	ROD, 5/16 Dia., 5.88 Lg
0140	2825094	1	TIE, Self-Locking, 7-5/16 Lg
0160	1734400D	1	CHUTE ASSEMBLY, 32"
0160	1736419D	1	CHUTE ASSEMBLY, 38"
0170	1960686	1	NUT, Hex-Flange, 5/16-18
0180	2860210	1	WASHER, Nylon, 3/8
0190	1931333	1	BOLT, Carriage, 5/16-18 x 0 3/4, G5
0200	1728965	1	MOTOR, Spout Rotator, 38"
0210	1960126	2	PUSHNUT, 1/4 Dia. (CE/Export)
0220	1735174	1	GUARD & SUPPORT ASSEMBLY (32" C/E Export Only)
0220	1704446	1	GUARD & SUPPORT ASSEMBLY (38" C/E Export Only)

Footnotes:

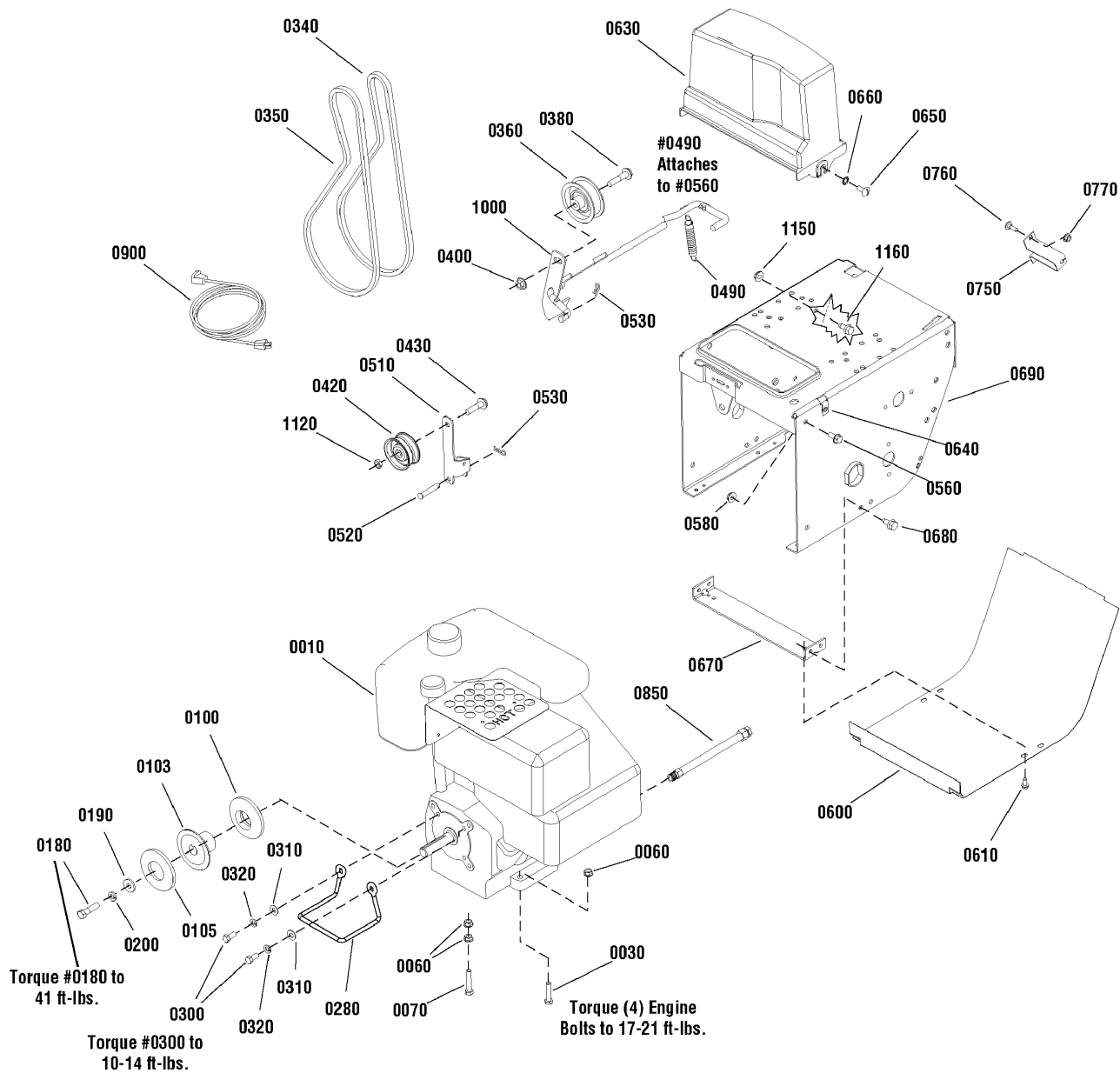


Engine Group

Item	Part No	Qty	Description
0010	21M414-0119-E1	1	* ENGINE, 16.5TP, Briggs & Stratton (Domestic)
0010	21M414-0170-E1	1	* ENGINE, 16.5TP, Briggs & Stratton (Export)
0030	1921221	3	CAPSCREW, Hex Head, 5/16-18 x 1-1/2
0060	2831277	5	NUT, Hex Flange, Whiz Lock, 5/16-18
0070	2822127	1	CAPSCREW, Hex Head, 5/16-18 x 1-3/4
0100	1726865	1	PULLEY, Engine, Inner
0103	1726866	1	PULLEY, Engine, Middle
0105	1726867	1	PULLEY, Engine, Outer
0180	1922128	1	CAPSCREW, Hex Head, 5/16-24 x 1-1/2
0190	1922755	1	WASHER, 3/8
0200	1916965	1	LOCKWASHER, Spring, 3/8
0280	1727785	1	STOP, Belt
0300	1921515	2	CAPSCREW, Hex Head, 5/16-24 x 3/4
0310	1919326	2	WASHER, 5/16
0320	1917356	2	LOCKWASHER, Spring, 5/16
0340	1666655	1	V-BELT, HA, 41.3, Auger
0350	1672732	1	V-BELT, 3L, 31.00, Drive
0360	1726348	1	PULLEY, Idler
0380	2860709	1	SCREW, Hex Flange, Whiz Lock, 3/8-16 x 1-3/4
0400	1928352	1	NUT, Hex Flange, Whiz Lock, 3/8-16
0420	1668477	1	PULLEY, Idler
0430	1960647	1	SCREW, Hex Head, 3/8-16 x 1-1/2
0490	2159106	1	SPRING, Extension
0510	1703046A	1	ARM, Idler
0520	1665994	1	PIN, Flat Head Drilled
0530	1722460	2	PIN, Quick
0540	1727149	1	SPRING, Extension
0560	1930591	4	SCREW, Hex Flange, Whiz Lock, 5/16-18 x 3/4
0580	1927557	4	NUT, Hex Flange, Whiz Lock, 5/16-18
0600	1726870D	1	COVER, Bottom
0610	1925003	2	SCREW, Hex Washer Head, Taptite, 1/4-20 x 1/2
0630	1725287	1	COVER, Belt
0640	1935255	2	NUT, Speed,, 5/16-18
0650	1918249	2	SCREW, Truss Head, Slotted, 5/16-18 x 3/4
0660	2820426	2	WASHER, Lock, External Tooth, 5/16
0670	1727004A	1	SUPPORT, Tie Bar
0680	1664847	4	SCREW, Hex Washer Head, Taptite, 5/16-18 x 3/4

Footnotes:

NOTE: * Purchase engine parts from engine manufacturer dealer.



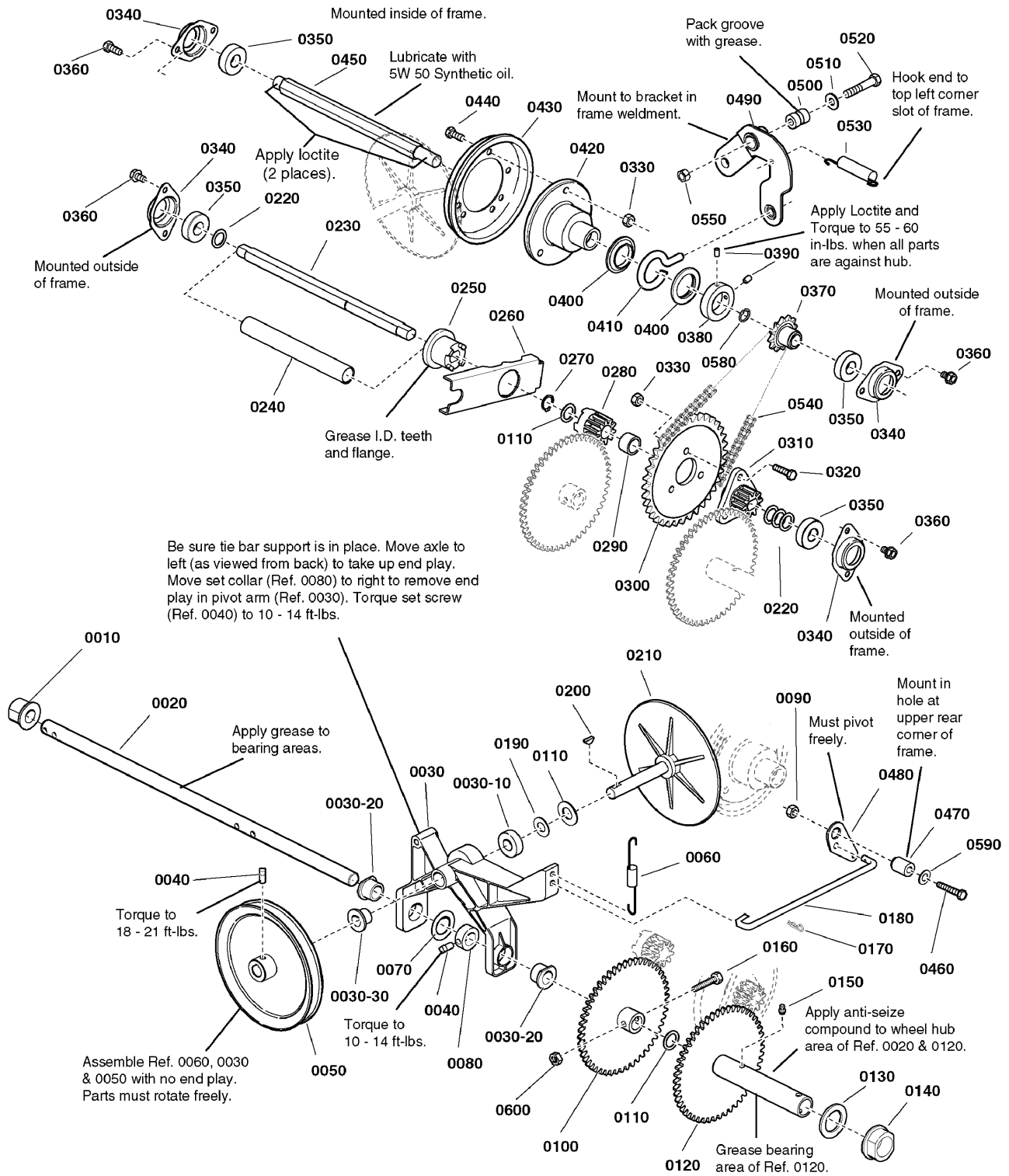
Engine Group

Item	Part No	Qty	Description
0690	1726568D	1	FRAME
0750	1720404A	1	SUPPORT, Clutch Cable
0760	1931317	2	BOLT, Carriage, 1/4-20 x 3/4
0770	1960685	2	NUT, Hex Keps, 1/4-20
0850	1726942	1	HOSE, Oil Drain
0900	724865	1	CORD, Electric (Domestic Models)
1000	1729646A	1	CLUTCH ROD / BRAKE ARM
1120	1928731	1	NUT, Hex Toplock Jam, 3/8-16
1150	1920161	1	NUT, Hex Jam, 5/16-18
1160	1921333	1	CAPSCREW, Hex Head, 5/16-18 x 1

Footnotes:

NOTE: * Purchase engine parts from engine manufacturer dealer.

Traction Drive Group

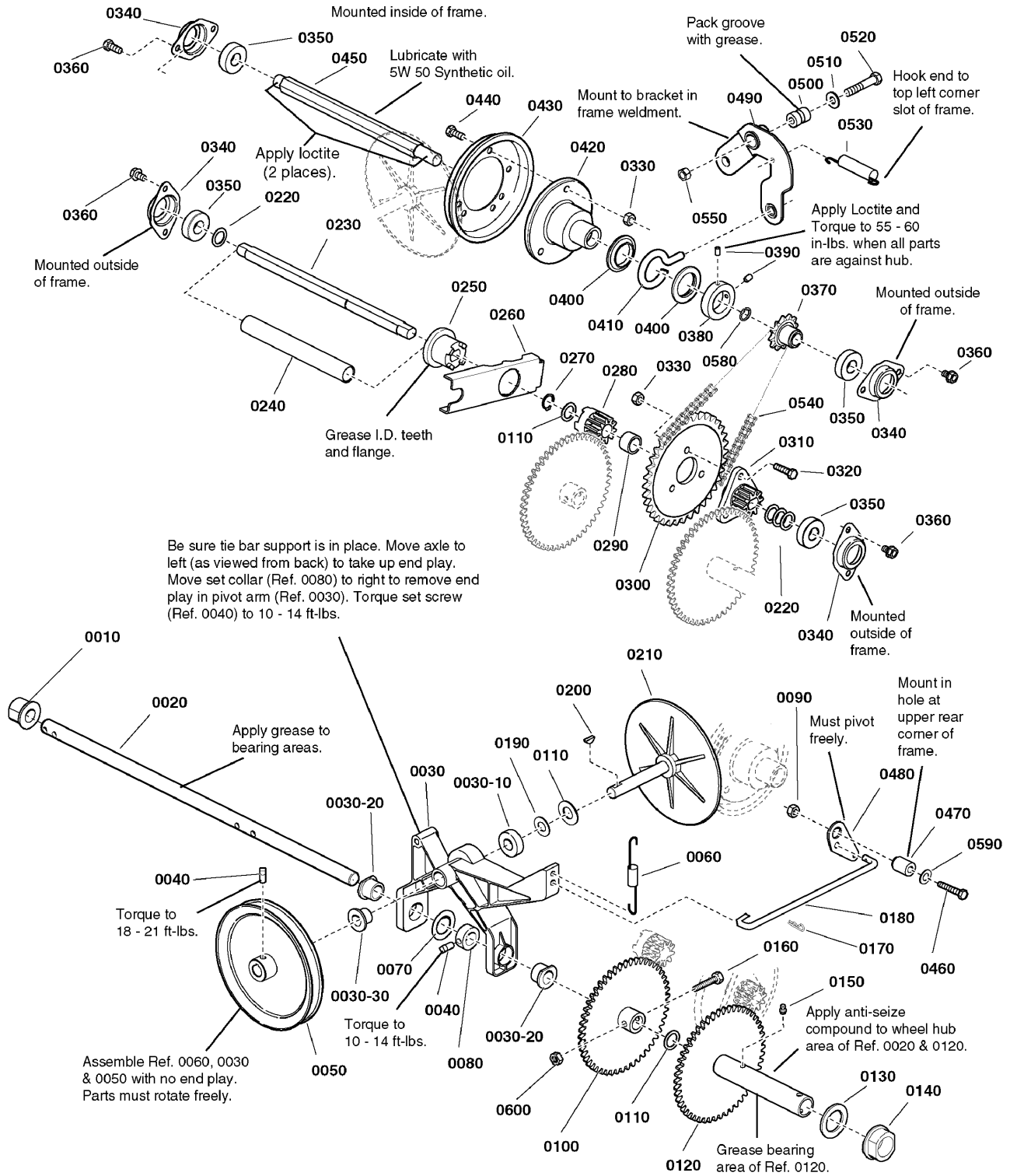


Traction Drive Group

Item	Part No	Qty	Description
0010	1666001	1	BUSHING, 1" Lg
0020	1736641	1	AXLE, 22-13/16 Lg
0030	1670849	1	ARM & PIVOT ASSEMBLY
0030-10	1665521	1	BEARING
0030-20	1666425	2	BUSHING, Flange
0030-30	1666855	1	BUSHING
0050	1672595	1	PULLEY ASSEMBLY
0040	1928721	2	SET SCREW, 5/16-18 x 1/2, G8
0060	1725666	1	SPRING, Extension, 1/2 OD
0070	1919394	1	WASHER, 1-1/32 x 1-5/8 OD
0080	1729254	1	COLLAR, Set, 1/4 X 1-1/4 x 1/2
0090	1960686	1	NUT, Hex-Flange, 5/16-18
0100	1736639	1	GEAR ASSEMBLY
0110	1960114	3	WASHER, 3/4
0120	1730228	1	GEAR & HUB ASSEMBLY
0130	2860169	1	WASHER, 3/16
0140	1720305	1	BUSHING, 5/32
0150	7076998	1	Fitting, Lube, Straight, 1/4-28
0160	51374	2	SCREW, Hex-Head, 1/4-20 x 1-1/2
0170	1722460	1	PIN, Quick, 1-3/16 Lg
0180	1726467	1	ROD, 9-1/2 Lg
0190	1924366	1	WASHER, 5/8
0200	2818312	1	KEY, Woodruff, 3/16 x 5/8, #61
0210	1719879	1	DISC, Drive, w/ Spindle
0220	2860164	4	WASHER, 5/8
0230	1718752	1	JACKSHAFT
0240	1720298	1	SPRING, Compression
0250	1718689	1	CLUTCH, Sliding, 1-1/2 OD
0260	1720078A	1	ARM, Clutch
0270	2827732	1	RING, Retaining, # 74, 3/4 Dia.
0280	1718688	1	GEAR, Stationary Clut
0290	1679556	1	SPACER, 1 Lg
0300	1667330	1	SPROCKET
0310	1718687	1	GEAR
0320	1921333	3	CAPSCREW, Hex-Head, 5/16-18 x 1, G5
0330	1960684	6	NUT, Hex, 5/16-18 Conical Washer
0340	1667341	4	RETAINER, Bearing

Footnotes:

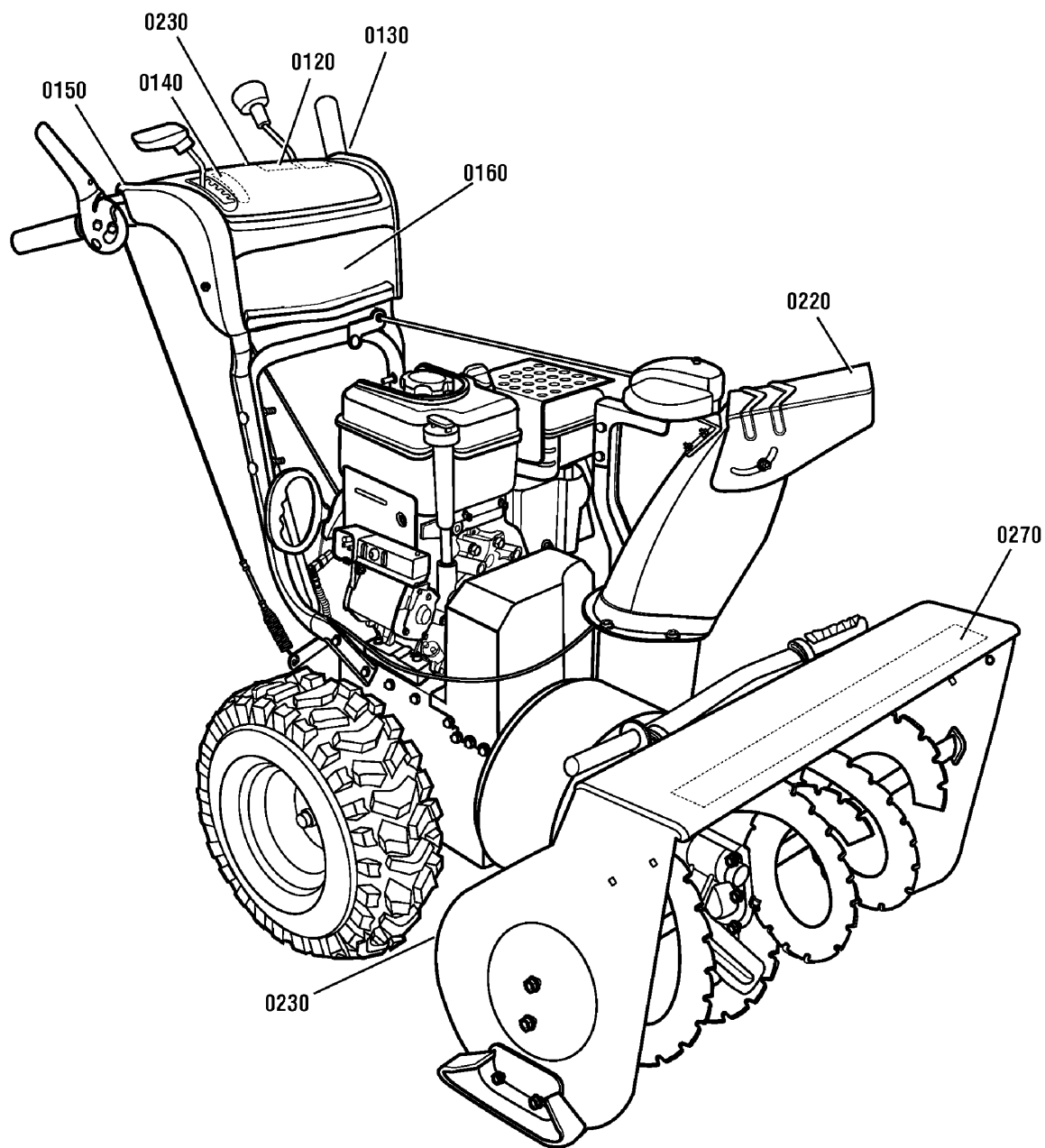
Traction Drive Group



Traction Drive Group

Item	Part No	Qty	Description
0350	1705897	4	BEARING, Ball, 11/16 x 1-9/16 X 15/32
0360	1930601	8	SCREW, Hex Washer-Head, 5/16-18 x 5/8
0370	1726931	1	SPROCKET
0380	1667335	1	COLLAR, 1-1/4 x 2 x 1/2
0390	1724333	2	SET SCREW, 1/4-20 x 1/2
0400	1678956	2	COLLAR, Thrust, 1-1/4 ID x 2 OD
0410	1666207	1	PIN, LOOP 3/8 Dia. X 2-3/32 Lg
0420	1665995	1	HUB, Friction Disc
0430	1725428	1	DISC, Friction
0440	1921332	3	CAPSCREW, Hex-Head, 5/16-18 x 3/4, G5
0460	1735776	1	CAPSCREW, Hex Socket-Head, 5/16-18 x 2, G8
0450	1736100	1	SHAFT, Hex, w/Groove, 3/4 A/F, 12-11/32 Lg
0500	1666114	1	BUSHING
0470	1666106	1	BUSHING, 11/32 ID 3/4 OD 1-1/16 Lg
0480	1700473	1	BELLCRANK
0490	1669256	1	SHIFT ARM & PULLEY ASSEMBLY
0510	1924940	1	WASHER, 3/8
0520	1923701	1	CAPSCREW, Hex Head, 3/8-16 x 2, G5
0530	1668255	1	SPRING, Extension
0540	1666980	1	CHAIN, Roller
0550	1960687	1	NUT, Hex-Flange, 3/8-16
0580	1736222	1	RING, Retaining, Split, # 79
0590	1919326	1	WASHER, 11/32 x 3/4 OD
0600	95661	2	NUT, Hex, Nylock, 1/4-20

Footnotes:

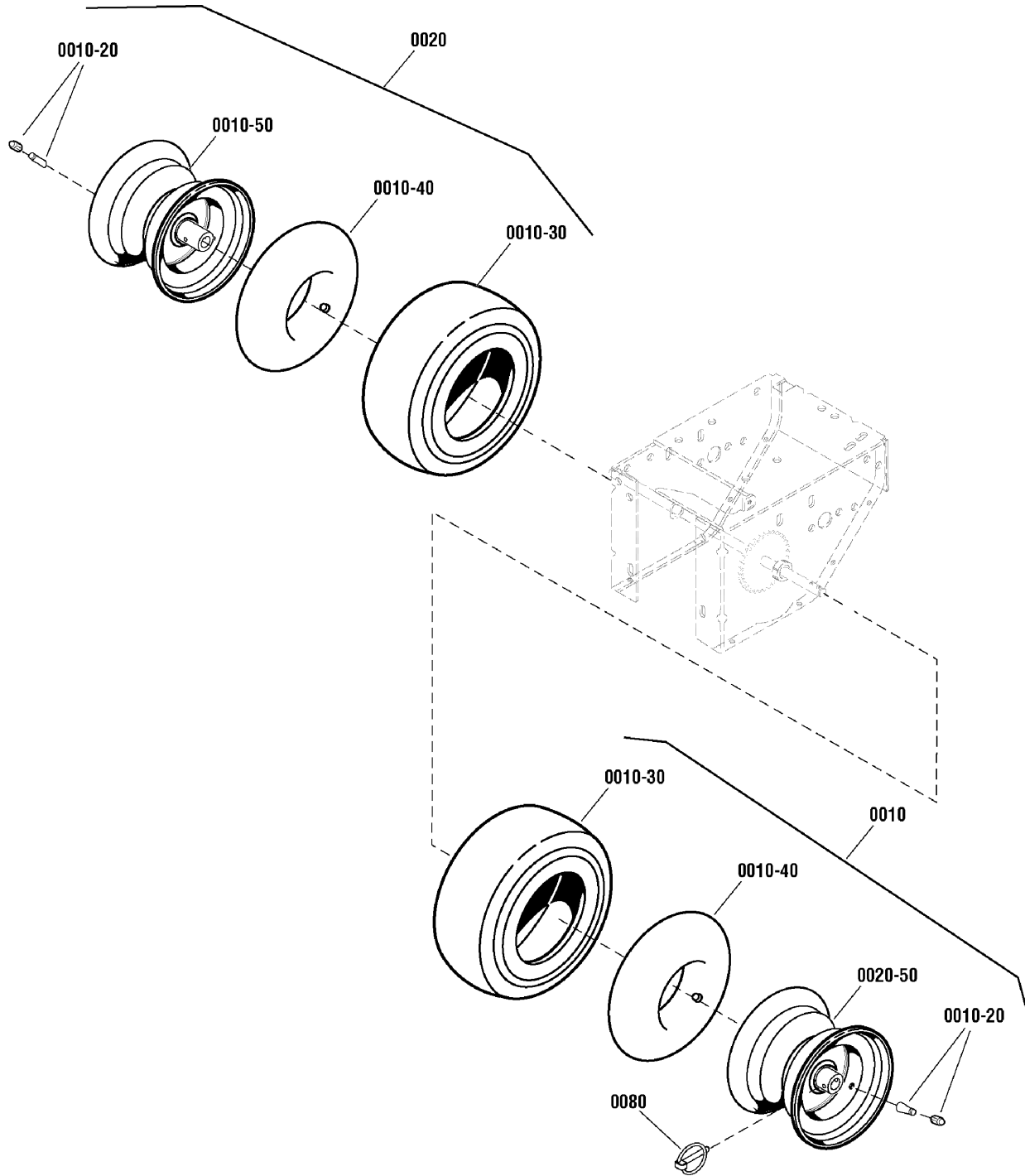


Decals Group

Item	Part No	Qty	Description
0120	1737877	1	DECAL, Controls, No Text
0130	1737870	1	DECAL, Traction Control Symbols
0140	1733772	1	DECAL, Shift 1, 2, 3, 4, 5, 6 R1 R2 (CE/Export)
0140	1737871	1	DECAL, 1-6 Transmission Speed Control (Domestic)
0150	1737869	1	DECAL, Auger Control Symbols
0160	5101445	1	DECAL, Snapper, Front (CE/Export)
0160	1733193	1	DECAL, Snapper, Turtle (Domestic)
0220	1727207	1	DECAL, Chute Warning (CE/Export)
0220	1737865	1	DECAL, Danger, Chute, FR / ENG (Domestic)
0230	1737866	1	DECAL, Danger, Foot, FR / ENG
0230	1737867	1	DECAL, Danger Auger Icons
0270	1734635	1	DECAL, Snapper, Stripe, 32", 1632L
0270	1734737	1	DECAL, Signature Pro, 38" 1738XL

Footnotes:

Wheel & Tire Group



Wheel & Tire Group

Item	Part No	Qty	Description
0010	1726744	1	WHEEL & TIRE ASSEMBLY, 16 x 6-1/2 - 8, K478, L.H. (Inc. 0010-20, 0010-30, 0010-40 & 0010-50)
0010-20	2172353	2	VALVE STEM & CAP
0010-30	1727075	2	TIRE, 16 x 6-1/2 - 8, X-Trac XL (L.H. & R.H.)
0010-40	164247	2	TUBE, Tire, 16 x 6-1/2 - 8 (L.H. & R.H.)
0010-50	-----	1	RIM, Tire, 16 X 6-1/2 - 8, L.H. (Not a servicable part. Order complete assembly)
0020	1726745	1	WHEEL & TIRE ASSEMBLY, 16 x 6-1/2 - 8, K478, R.H. (Inc. 0010-20, 0010-30, 0010-40 & 0020-50)
0020-50	-----	1	RIM, Tire, 16 X 6-1/2 - 8, R.H. (Not a servicable part. Order complete assembly)
0080	1731186	2	PIN, Klik

Footnotes:

Parts Manual for

SNAPPER®

LARGE FRAME 32" & 38" TWO-STAGE PRO SNOW THROWERS 2009

IT IS THE POLICY OF BRIGGS & STRATTON CORP TO IMPROVE ITS PRODUCTS WHENEVER IT IS POSSIBLE AND PRACTICAL TO DO SO. WE RESERVE THE RIGHT TO MAKE CHANGES OR ADD IMPROVEMENTS AT ANY TIME WITHOUT INCURRING ANY OBLIGATION TO MAKE SUCH CHANGES ON PRODUCTS

Briggs & Stratton Yard Power Products Group

535 Macon Road
McDonough, GA, 30253 U.S.A.
800-935-2967

www.snapper.com

Copyright © 2009 Briggs & Stratton Corporation
Milwaukee, WI USA. All Rights Reserved

Manual No. 7104009
Revision: - 9/28/2009